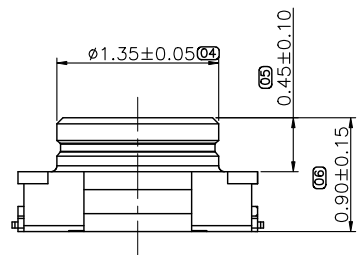
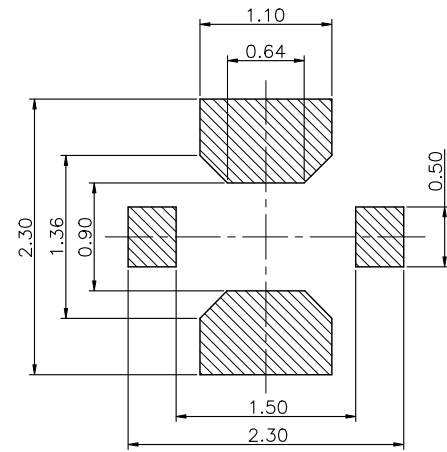
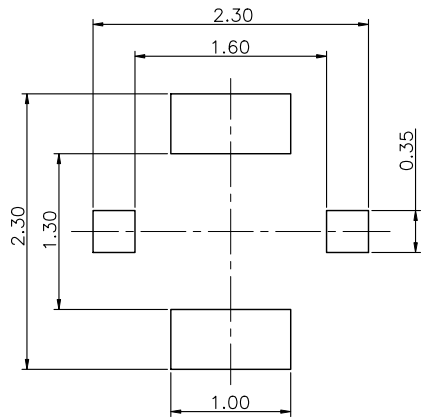
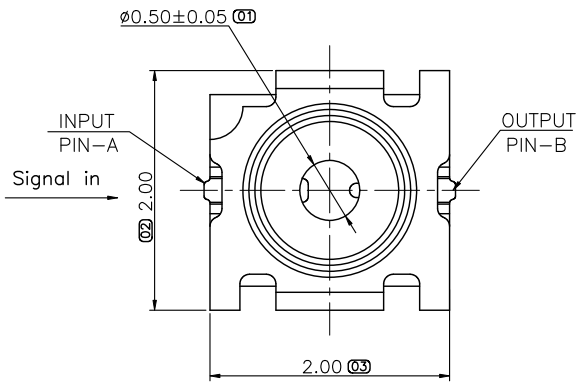
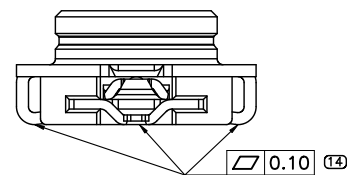


A3

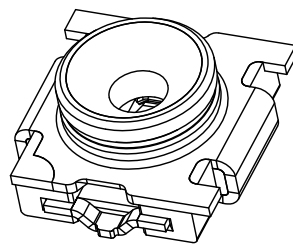
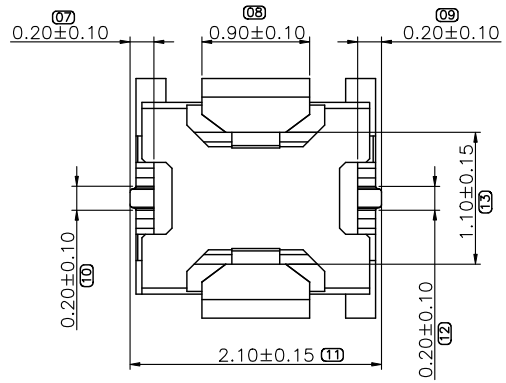
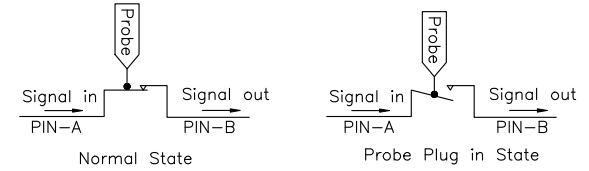
REV	ECN NO	DESCRIPTION	DATE	APPD
A	ECN1405026	INITIAL EDITION	2014.05.14	Bill Zheng



RECOMMEND STENCIL MASK PATTERN  
(MASK THICKNESS 0.12mm)



RECOMMENDED P.C.B LAYOUT  
(TOP VIEW) TOLERANCE ±0.03



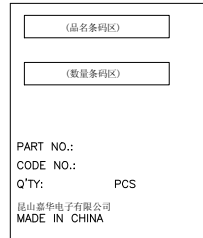
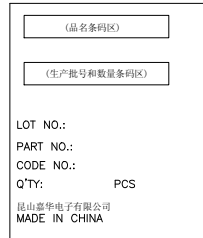
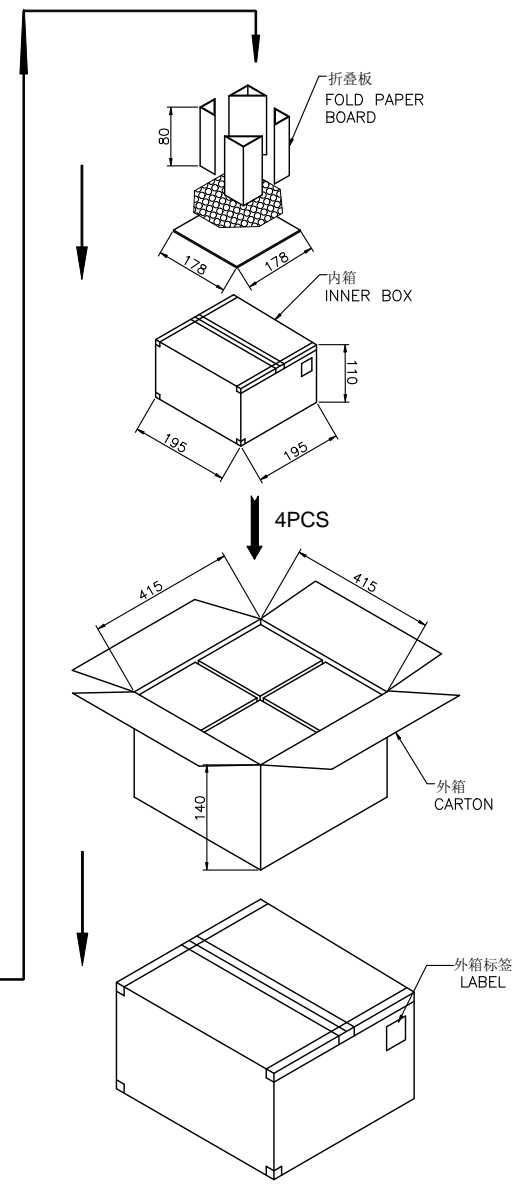
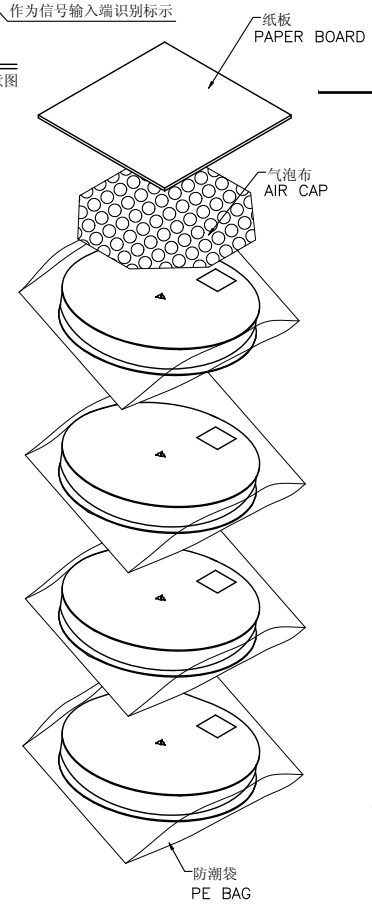
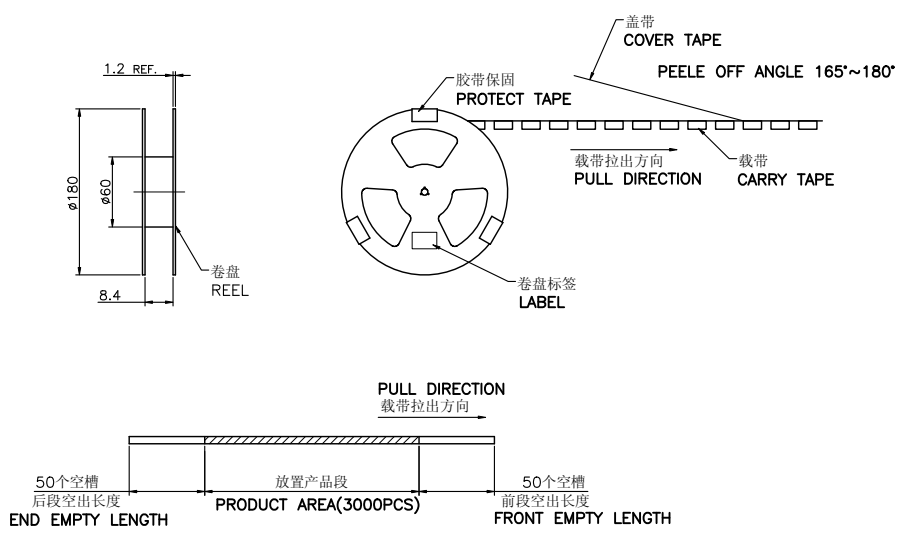
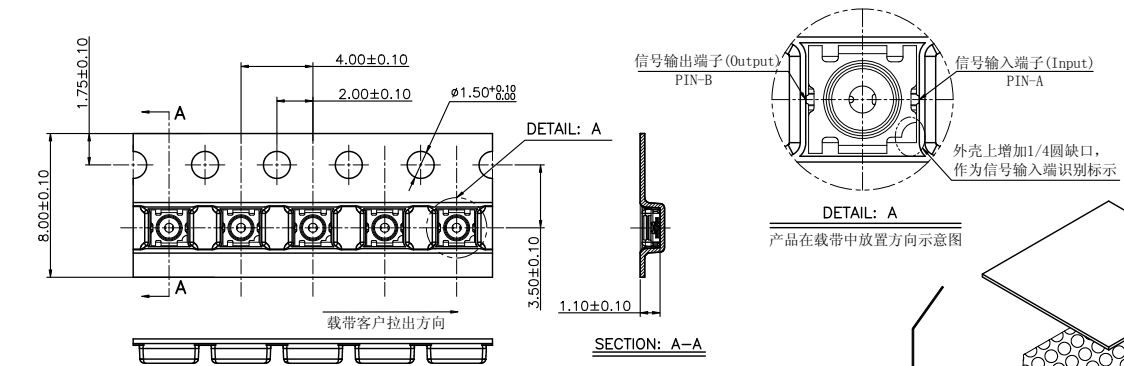
NOTE:

- MATERIALS:
  - HOUSING: THERMOPLASTIC, UL94 V-0, COLOR: BLACK;
  - TERMINAL-A: COPPER ALLOY, T=0.08±0.01;
  - TERMINAL-B: COPPER ALLOY, T=0.08±0.01;
  - SHELL: COPPER ALLOY, T=0.10±0.01;
- FINISH:
  - TERMINAL-A: 3u" Min. GOLD PLATING ON CONTACT AREA OVER 30u" Min. NICKEL UNDERPLATING;
  - TERMINAL-B: 3u" Min. GOLD PLATING ON CONTACT AREA OVER 30u" Min. NICKEL UNDERPLATING;
  - SHELL: 3u" Min. GOLD PLATING ON CONTACT AREA 30u" Min. NICKEL UNDERPLATING;
- PERFORMANCE:
  - RATINGS:
    - VOLTAGE RATING: 30V AC
    - POWER RATING: 2W
    - SERVICE TEMPERATURE: -40°~+85°
    - STORAGE TEMPERATURE: -10°~+40°
  - INSULATION RESISTANCE: 500MOHM Min.
- THE PRODUCT IS COMPLIANT WITH FAF ENVIRONMENT PROCEDURE REQUIREMENT.

EXTEND USE		TITLE	
RF SWITCH 2*2 CONN		7.022A0 CONNECTOR CUSTOMER DRAWING	
UNIT mm		DWG NO C-7.022A0	
GENERAL TOLERANCE (0)		APPD Bill Zheng 2014.05.14	
DIMENSION		P/N: 7.022A0-000-1R0	
ANGLES		SHEET SCALE (M) REV A	
. ±0.30	. ±2°	QTY CHD David Wang 2014.05.14	
.0 ±0.25	.0 ±1°	FINISHED DRN Tony Tai 2014.05.14	
.00 ±0.20	.00 ±0.5°		
.000 ±0.10			



REV	ECN NO	DESCRIPTION	DATE	APPD
		详见第一页		



1: 包装内容  
INFORMATIONS OF THE PACKING

料号 (P/N)	一卷包装数量 Q'TY/REEL	一内箱包装数量 Q'TY/INNER BOX	一外箱包装数量 Q'TY/CARTON
7.022A0-000-1R0	3000PCS	12000PCS	48000PCS

EXTEND USE		TITLE		
RF SWITCH 2*2 CONN		7.022A0 CONNECTOR CUSTOMER DRAWING		
UNIT mm		MATERIAL		DWG NO C-7.022A0-P
GENERAL TOLERANCE		APPD		P/N: 7.022A0-000-1R0
DIMENSION		QTY		CHD David Wang 2014.05.14
ANGLES		FINISHED		DRN Tony Tai 2014.05.14
. ±0.30	. ±2°	SHEET		SCALE 1:1
.0 ±0.25	.0 ±1°	SCALE		REV A
.00 ±0.20	.00 ±0.5°	SCALE		
.000 ±0.10		SCALE		